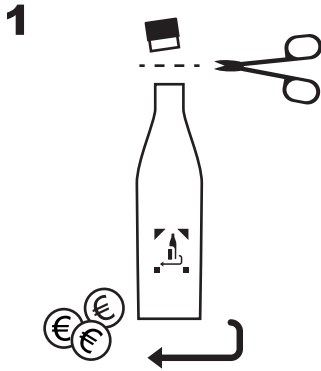


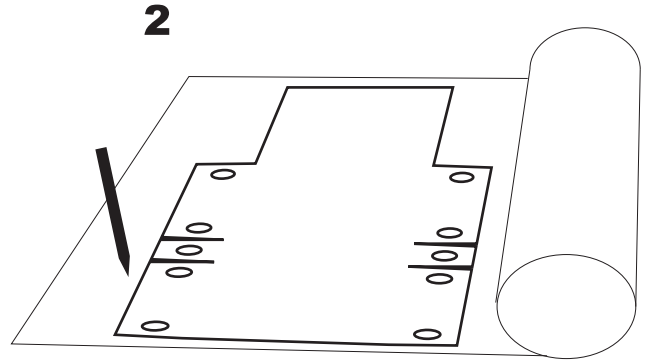
## How To make a bottle-top-bag / Pfandtasche

contact:  
julia vernersson  
judith meijer  
christophe vaillant

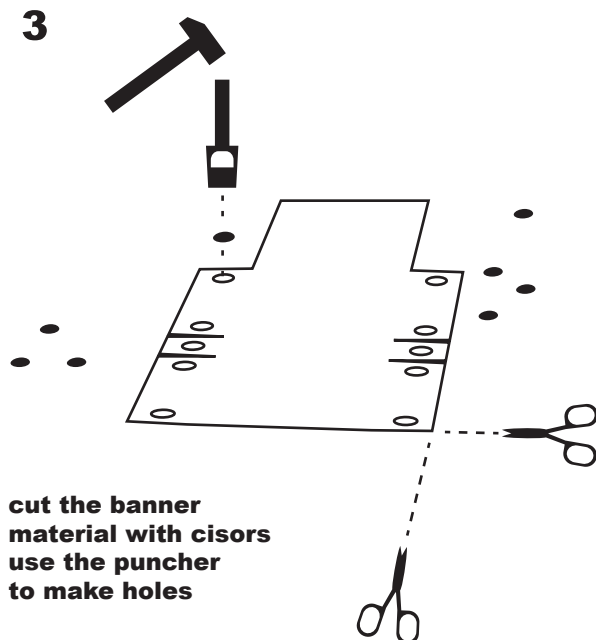
<julia.vernersson@gmail.com>  
<judith.meijer@gmail.com>  
<cvail101@gmail.com>



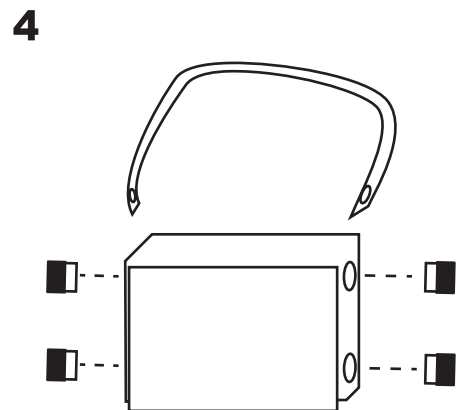
cut off bottle top,  
with the rest of the  
bottle go to the  
supermarket and  
get back you money!



choose pattern  
use template and  
pencil to copy the  
pattern, draw it on  
banner material



cut the banner  
material with cisors  
use the puncher  
to make holes



assemble the bag,  
refine the design